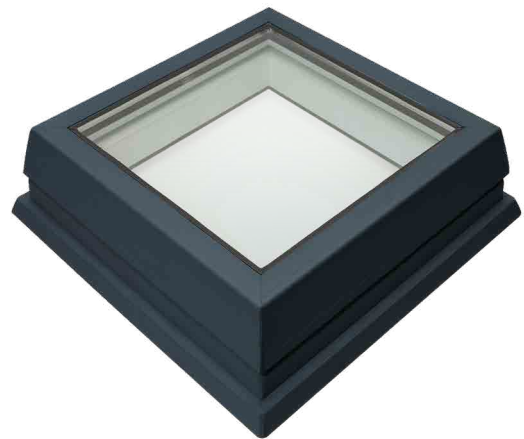


SR SKYLIGHTS

Glass & Polycarbonate Rooflights





The importance of natural daylight.

Natural daylight is an invaluable natural asset. The benefits of a naturally-lit space are well documented. From a building design perspective, the use of rooflights is an excellent means by which both light and solar energy can be utilised to save energy and to reduce the carbon footprint of any property.

Flat roof rooflights are the most efficient means of providing natural daylight, providing up to three times more daylight than an equally-sized vertical window. The light from a rooflight is also more evenly distributed throughout the room, less likely to result in glare or compromise privacy.

Skyline's own SR range of rooflights are unique and conform with the most up-to-date building regulations.

We supply high-quality products with superior performance and will always ensure you get the right product for the job.

Installation Guide

Measuring a rooflight

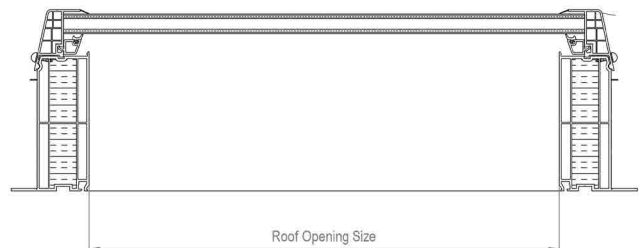
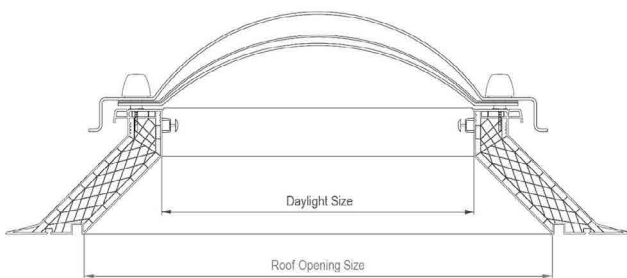
Roof opening size:

This is the finished size of the hole in the roof.

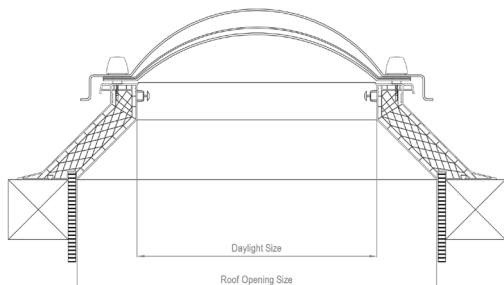
Daylight size:

For vertical curbs the daylight size is the same as the roof opening size size.

On a splayed curb this is always 200mm smaller than the roof opening size.



Seamless finishing



The ECO splayed upstand features a U-formed groove at the bottom of the curb allowing for a seamless fit with plaster board, eliminating risk of unsightly cracks at the rooflight and lining interface.

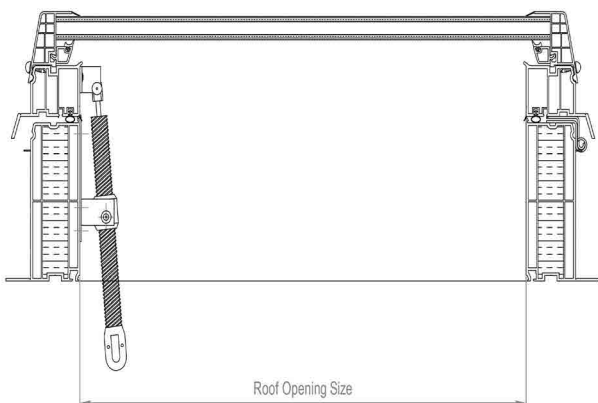
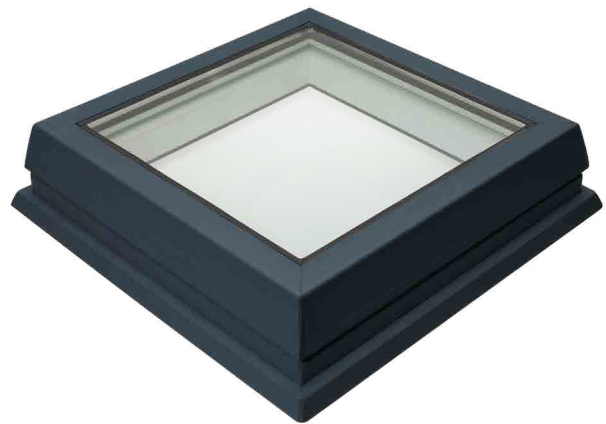
SR SKYLIGHT

Glass rooflight

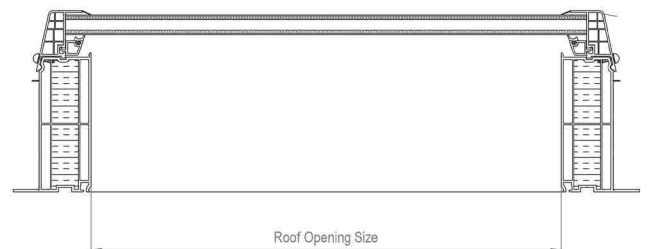
The SR glass rooflight is a high-quality rooflight designed to make optimum use of natural light.

Stocked in a wide range of sizes, it can be supplied as fixed, or manually opening for ventilation.

- Double glazed
- Grey or white uPVC frame
- 6mm toughened outer
- 8.8mm laminated inner
- Fixed or manual opening*
- uPVC 150mm vertical upstand
- CWCT tested and passed to Class 1
- Combined unit U-Value 1.26 W/m²K
- Must be installed at a 5° to 15° pitch



Manully opening
- operated with 1-3m winding rod



Fixed unit

Product details



Size Code	Roof Opening Sizes	Options
S01	500mm x 500mm	Fixed or manually opening with spindle
S02	600mm x 600mm	Fixed or manually opening with spindle
S03	700mm x 700mm	Fixed or manually opening with spindle
S05	800mm x 800mm	Fixed or manually opening with spindle
S06	900mm x 900mm	Fixed or manually opening with spindle
S08	1000mm x 1000mm	Fixed or manually opening with spindle
* S10	1200mm x 1200mm	Fixed only
R01	600mm x 900mm	Fixed or manually opening with spindle
R02	600mm x 1200mm	Fixed or manually opening with spindle
R03	700mm x 1000mm	Fixed or manually opening with spindle
R08	900mm x 1200mm	Fixed or manually opening with spindle
* R12	1000mm x 1500mm	Fixed only
* R14	1000mm x 2000mm	Fixed only
* R17	1200mm x 2200mm	Fixed only

* available in electric opening, please ask for details

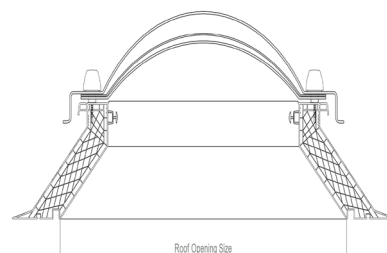
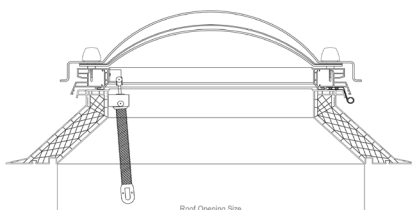
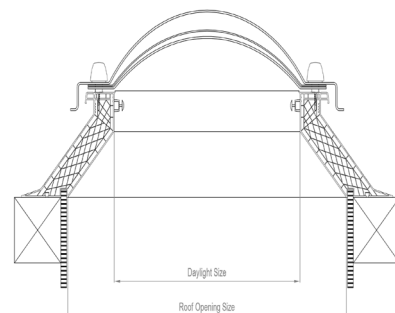
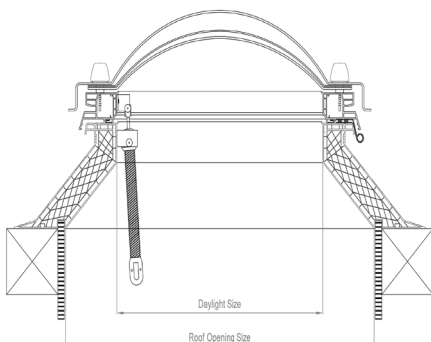
SR SKYLIGHT

Polycarbonate rooflight

The SR polycarbonate skylight offers a high-quality, durable solution to maximise natural light.

Stocked in a wide range of sizes, it can be supplied as fixed, or manually opening for ventilation.

- Triple glazed polycarbonate
- Clear glazing
- Fixed or manual opening
- Pre-drilled, supplied with fixings and tape
- Installed onto uPVC 150mm ECO splayed curbs
- 10 year guarantee
- CE marked according to EN1873
- U-Value 1.8 W/m²K
- Fire Resistant according to EN13501-2
- Impact tested to SB1200



Product details

Available in clear glazing only.

Size Code	Roof Opening Sizes	Options: Fixed, incorporating: Rotary Trickle Vents or Manual opening, incorporating: PVC Opening Frame; Manual Spindle including Quick Assembly hinge and release pins
S02	600mm x 600mm	Standard product
S03	700mm x 700mm	Standard product
S04	750mm x 750mm	Special order
S05	800mm x 800mm	Standard product
S06	900mm x 900mm	Standard product
S07	950mm x 950mm	Special order
S08	1000mm x 1000mm	Standard product
S09	1100mm x 1100mm	Special order
S10	1200mm x 1200mm	Standard product
S11	1250mm x 1250mm	Special order
S12	1300mm x 1300mm	Special order
S13	1400mm x 1400mm	Special order
S14	1500mm x 1500mm	Standard product
R01	600mm x 900mm	Standard product
R02	600mm x 1200mm	Standard product
R03	700mm x 1000mm	Special order
R04	700mm x 1300mm	Special order
R05	700mm x 1900mm	Special order
R06	800mm x 1100mm	Special order
R07	800mm x 1400mm	Special order
R08	900mm x 1200m	Special order
R09	900mm x 1500mm	Special order
R10	900mm x 1800mm	Special order
R11	1000mm x 1300mm	Special order
R12	1000mm x 1500mm	Standard product
R13	1000mm x 1900mm	Special order
R15	1100mm x 1700mm	Special order
R16	1200mm x 1700mm	Special order
R18	1200mm x 2400mm	Special order
R19	1300mm x 1900mm	Special order
R20	1300mm x 2500mm	Special order

Special order = 3-5 weeks

info@skylineroofing.co.uk

TEL: 0208 571 6128
SALES: 0208 571 1666
FAX: 0208 571 1616

HEAD OFFICE
Unit 73, Waterside Trading Estate
Trumpers Way
Hanwell, Ealing W7 2QA



FELTHAM BRANCH
Hanworth Trading Estate
Hampton Road
West Feltham
Middlesex
TW13 6DH
TEL: 0208 893 8812

HANWELL BRANCH
Unit 73 Waterside Trading
Centre, Trumpers Way
Hanwell
Ealing
W7 2QA
TEL: 0208 571 1666

UXBRIDGE BRANCH
Uxbridge Road
Hillingdon
Middlesex
UB10 0PH
TEL: 0189 523 3524

EDGWARE BRANCH
Rear of 199-227
Burnt Oak Broadway
Edgware
Middlesex
HA8 5EG
TEL: 0208 951 5677

WATFORD BRANCH
Wiggenhall Industrial
Estate, Wiggenhall Road
Watford
Herts
WD18 0FL
TEL: 0192 322 6726

LEWISHAM BRANCH
198 Drakefell Road
Brockley
Lewisham
London
SE4 2DS
TEL: 0207 358 1000

BEDFORD BRANCH
1-3 Edison Road
Elms Farm
Industrial Estate
Bedford
MK41 0HU
TEL: 0123 427 1367

KINGS LANGLEY BRANCH
The Nap
Kings Langley
Hertfordshire
WD4 8ES
TEL: 0192 326 2620

LEIGHTON BUZZARD BRANCH
Cherrycourt Way
Stanbridge Road
Leighton Buzzard
Bedfordshire
LU7 4UH
TEL: 0152 537 4723

SURBITON BRANCH
Unit 3 & 4 Chancery
Gate Business Centre
214 Red Lion Road
Surbiton
Surrey
KT6 7RA
TEL: 0208 391 2599

HIGH WYCOMBE BRANCH
Unit 4 M40 Industrial Estate
Blenheim Road
Cressex Business Park
High Wycombe
Buckinghamshire
HP12 3RS
TEL: 0149 493 2500

CHEAM BRANCH
29-31 Stonecot Hill
Cheam
Surrey
SM3 9HH
TEL: 0208 644 7600

